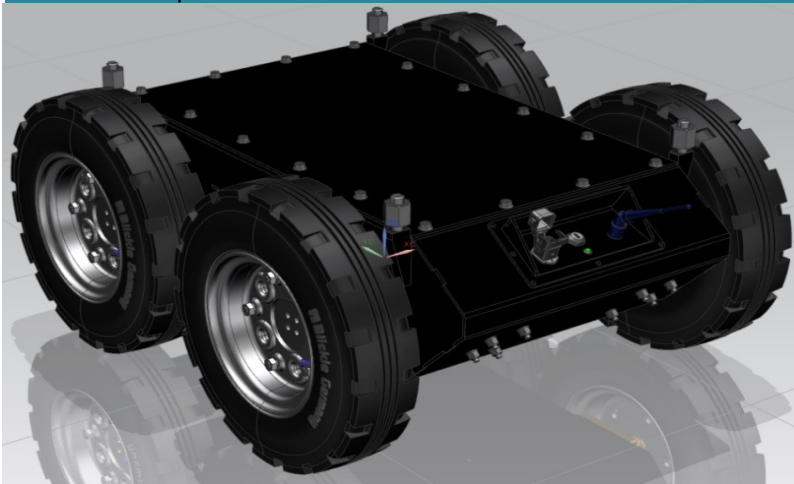


M.A.P. Light base

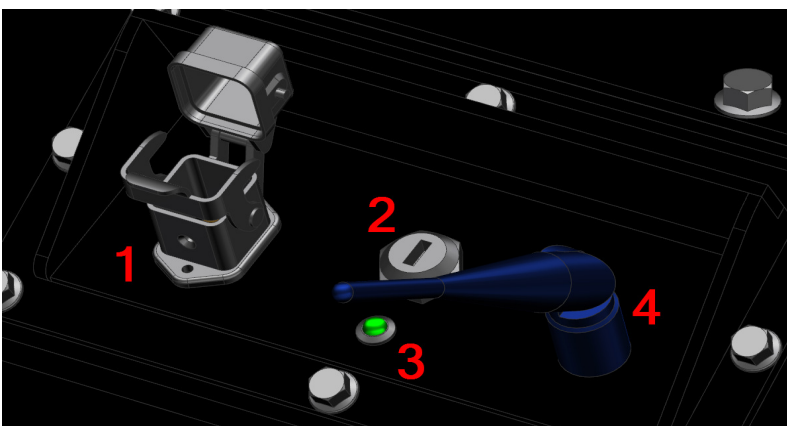
Modular Adaptive Platform



The MAP Light base is our most recent development in cost effective, modular ROV design. It is tough, water proof, and very easy to master.

The modular design provides a vary elaborate range of modules that can be used to serve a range of functions, for example:

- Mine clearing and triggerwire investigation.
- Moving target for shooting practice.
- Pick-up, transportation and place (forklift)
- Transportation of 75kg max. on roofrack.
- Transportation of 200 kg on trailer (stretcher evac, etc).
- Area lighting and Power distribution.
- Teargas delivery and croud control.
- Glock audio - High power speaker, 136 dB
- Fire hose handling and operation.
- Signal relay and observation.
- Additional armour package.
- IED clearing with Disruptor
- Chemical and toxic gas & particle detection
- 2000 kg winch, ground anchor, rampoon and fix.points



Interface:

- 1: Harting HAN A, 5pins, Heavy industrial series, IP65
- 2: Keyswitch, on/off, IP65
- 3: Status LED, IP65
- 4: WiFi antenna, IP55

Design & Development of personalised modules for specific tasks of demands is ofcourse possible.

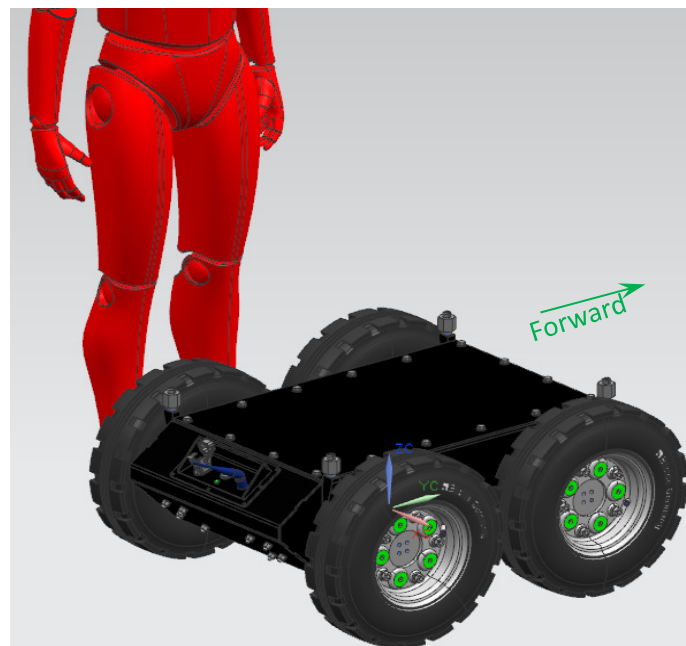
Technical summary

Specifications	Description
Propultion	4x separate E-motors
Battery's	4x seald lead acid
Operational duration	+2 hour
Maximum torque	4 x 93 N/m
Maximum speed	15 km/u
Maximum Power	6 "HP"
Protection rating	IP66
Secondary channels	2 @30A (on/off)
Range (uninterrupted)	200 meters
Armour rating	4mm thick, S235 steel
Dimention's (LxWxH)	910x760x430 mm
Module attachment	4 bolt-on points
Coating	Powder - Industrial grade

Sales representative:

Technisch Bureau Muller - TBM

Contact: D. Hardenbol
Mail: dennis@tbm.com



Technical support and customisation:

Applied Prototyping

Contact: W. Peters (B.Eng)
Mail: info@appliedprototyping.com

